

Features and Specifications

Application –Flood lighting for facade, building accent, wall wash, sign lighting, billboard lighting etc. Area lighting for parking lot, campuses and roads etc. Available to replace traditional MH or HPS luminaires up to 750W with 60% energy savings.

Construction – Rugged die-cast aluminum housing with corrosion resistant hardware, super durable powder coating finish withstand extreme climate changes without cracking or peeling. ASTM B117 salt spray tested.

Air-flow through convective cooling system with the anodized aluminum heat sink provides perfect heat management and guarantees the long life of LEDs up to 40C ambient temp. Oriented fins with natural clean system prevent debris build-up.

Modular design optimizes construction and assembly, allows for easy maintenance, upgrade and SKD for local assembly.

Tool-less access to the down-opening driver door makes easy maintenance and installation.

Die-cast mastfitter is vertically adjustable, suitable for mounting to a 2-3/8" O.D.

(2" pipe) vertical tenon. Wall mount and heavy duty steel yoke mount are available as well.

3G vibration per ANSI C136.31 bridge and overpass designed.

LED & Optics – PHILIPS LumiLED Rebel ES 33/module is applied for high efficiency and long life (Calculated L70>100,000h @ Ta=40C). IESNA LM80 approved. Pure white 5000K (+/-300K) & Neutral white 4000K (+/-300K) with CRI>65. Metal core printed circuit board.

Precise optic lens in high intensity PC material with Type III (Type II, IV, V is coming soon), meets IESNA cut-off, provides high uniformity and optimal luminaire spacing, the optical system optimizes the light distribution, eliminate the waste of light, promote the reasonable and effective using of light.

IP66 Optics system, meets IEC60529.

Electronics –Universal drivers are available in 100-240Vac (Europe version), 120-277Vac, 347-480Vac (North America version), 50/60Hz, power factor >0.95 and THD <15%. 700mA constant current output.

SPD (10KV/10KA) provides protection and meets ANSI/IEEE C62.41 for Location Category C-High & UL1449 for North America version.

Tool-less 360 degree rotatable twist-lock photocell control (3-wire, 5-wire, 7-wire) ANSI C136.10 compliant are available for options.

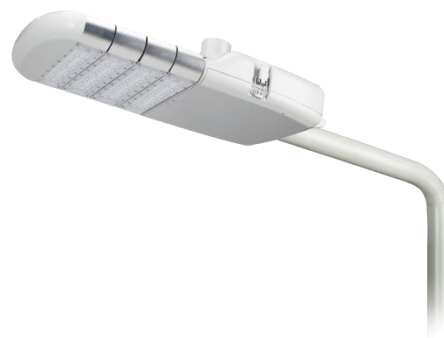
0-10V dimming control (IEC60929 compliant) is available for options.

Listings - CE (Europe version) pending, UL/CUL 1598 (North America version) pending, RoHS compliant

Warranty - 5 years limited

Note: all specifications subject to change without notice.

BBELED® **Flood Light & Area Parking LIGHT** **LF™ series**



100-240Vac, 120-277Vac, 347-480Vac 50/60Hz

4000K / 5000K (+/-300K)

CRI 65min

Up to 100LPW

PF>0.95, THD<15%

Calculated L70>100,000h @ Ta 40° C (104° F)

Work Temp.: -30~50° C (-22~122° F)

PHILIPS
LUMILEDS



Ordering information:

Example: LF2-ES5K3MRU-PR

Series	#of module	-	Voltage	LED driving current	CCT	Optics	LED bin	-	Options
LF	2	-	E	S	5K	3M	RU	-	PR
LF	1 2 3 4		E: 100-240Vac U: 120-277Vac H: 347-480Vac	S: 700mA M: 700mA 525mA 350mA	4K: 4000K 5K: 5000K	3M: Type 3M	RU: Rebel ES U (standard) RV: Rebel ES V (medium) RW: Rebel ES W (high)		PR ¹ : ANSI 3-wire photocell receptacle PR5 ¹ : ANSI 5-wire photocell receptacle PR7 ¹ : ANSI 7-wire photocell receptacle PC ² : photocell control VD ¹ : 0-10V dimming SF: Slip-fitter mount YM: Yoke mount WM: Wall mount

*Consult your sales representative for the options, the lead time will be varied depending on the options selected.

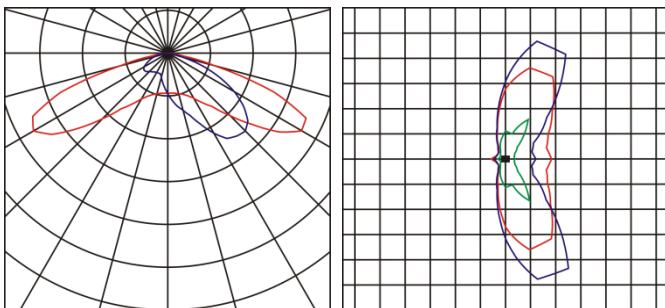
1. Control by others.

2. Not available to 347-480Vac.

Electrical Data:

	Number of LEDs	LED drive current(mA)	Rated Power(W)	Total Current (Amp)			
				120V	220V	230V	240V
LF1	33	700	75	0.67	0.37	0.35	0.34
LF2	66	700	150	1.23	0.66	0.64	0.61
LF3	99	700	225	1.90	1.03	0.99	0.95
LF4	132	700	285	2.46	1.33	1.28	1.23

Optical & Photometric Data



3M is designed per IES Type III

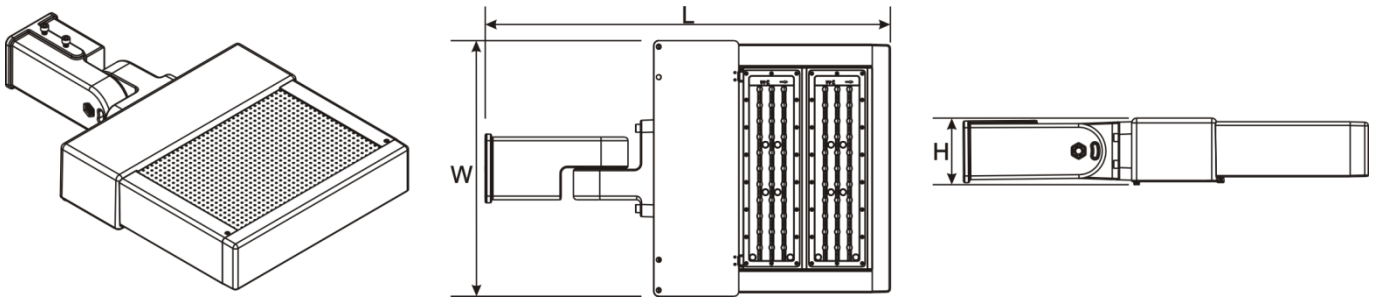
Cat. No.	CCT	Power (W)	Initial Lumen (lm)	Efficiency (LPW)	Optics	LED bin	IES file	IES Date
LP1-ES4K3MRU	4000K	78	6487	84	3M	RU	LP1-ES4K3MRU.ies	05/24/14
LP1-ES4K3MRV	4000K	76	6906	91	3M	RV	LP1-ES4K3MRV.ies	05/24/14
LP1-ES5K3MRU	5000K	78	6543	84	3M	RU	LP1-ES5K3MRU.ies	05/23/14
LP1-ES5K3MRV	5000K	78	7018	90	3M	RV	LP1-ES5K3MRV.ies	05/23/14
LP1-ES5K3MRW	5000K	78	7295	94	3M	RW	LP1-ES5K3MRV.ies	05/24/14
LP2-ES4K3MRU	4000K	143	12366	87	3M	RU	LP2-ES4K3MRU.ies	05/24/14
LP2-ES4K3MRV	4000K	140	13126	94	3M	RV	LP2-ES4K3MRV.ies	05/24/14
LP2-ES5K3MRU	5000K	144	12472	87	3M	RU	LP2-ES5K3MRU.ies	05/23/14

LP2-ES5K3MRV	5000K	144	13378	93	3M	RV	LP2-ES5K3MRV.ies	05/23/14
LP2-ES5K3MRW	5000K	142	13906	98	3M	RW	LP2-ES5K3MRW.ies	05/24/14
LP3-ES4K3MRU	4000K	221	18871	85	3M	RU	LP3-ES4K3MRU.ies	05/24/14
LP3-ES4K3MRV	4000K	217	20091	93	3M	RV	LP3-ES4K3MRV.ies	05/25/14
LP3-ES5K3MRU	5000K	223	19034	85	3M	RU	LP3-ES5K3MRU.ies	05/23/14
LP3-ES5K3MRV	5000K	223	20416	92	3M	RV	LP3-ES5K3MRV.ies	05/23/14
LP3-ES5K3MRW	5000K	220	21222	96	3M	RW	LP3-ES5K3MRW.ies	05/24/14
LP4-ES4K3MRU	4000K	286	24321	85	3M	RU	LP4-ES4K3MRU.ies	05/24/14
LP4-ES4K3MRV	4000K	281	25968	92	3M	RV	LP4-ES4K3MRV.ies	05/25/14
LP4-ES5K3MRU	5000K	288	24531	85	3M	RU	LP4-ES5K3MRU.ies	05/23/14
LP4-ES5K3MRV	5000K	288	26313	92	3M	RV	LP4-ES5K3MRV.ies	05/24/14
LP4-ES5K3MRW	5000K	285	27351	96	3M	RW	LP4-ES5K3MRW.ies	05/24/14

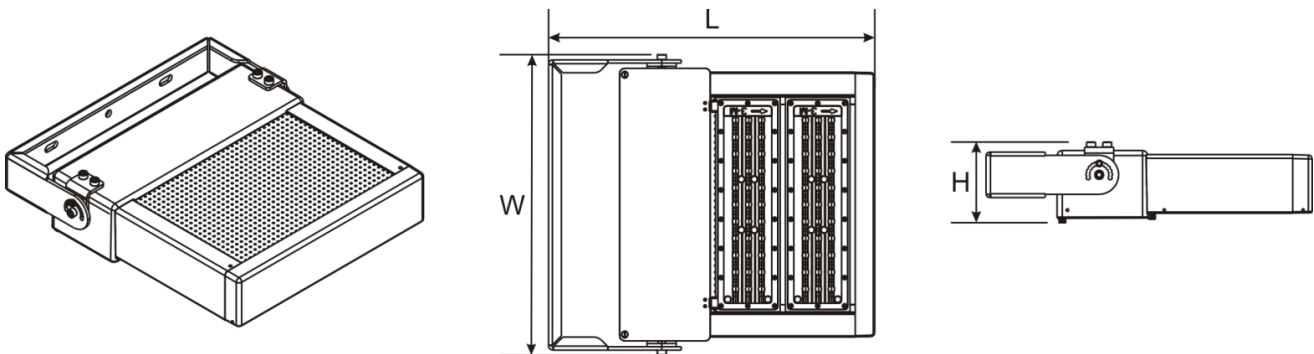
*the above data is based on BBELED lab test result, and is kept updating, changes will be not informed.

Dimension, Weight & EPA

dimension is in inch (mm), lb(kg).



	LF1	LF2	LF3	LF4
L	22.0"(560mm)	26.3"(668mm)	30.6"(776mm)	34.8"(884mm)
W	16.5"(420mm)	16.5"(420mm)	16.5"(420mm)	16.5"(420mm)
H	4.2"(106mm)	4.2"(106mm)	4.2"(106mm)	4.2"(106mm)
N.W.	18.9lb (8.58kg)	23.6lb (10.69kg)	31.2lb (14.13kg)	35.8lb (16.24kg)



	LF1	LF2	LF3	LF4
L	15.6"(396mm)	19.8"(504mm)	24.1"(612mm)	28.3"(720mm)
W	18.2"(463mm)	18.2"(463mm)	18.2"(463mm)	18.2"(463mm)
H	4.9"(124mm)	4.9"(124mm)	4.9"(124mm)	4.9"(124mm)
N.W.	18.4lb (8.36kg)	23.1lb (10.47kg)	30.7lb (13.91kg)	35.3lb (16.02kg)

