

Features and Specifications

Application - Lighting for pedestrian ways, rural ways, pavement etc. Available to replace traditional MH or HPS luminaires 70-150W with energy saving up to 60%.

Construction – Simplified design optimize the construction of the fixture to keep the stability but low cost,

Air-flow through heat sink design provides perfect heat management, lighter but stronger construction. Smooth and glossy processing with natural clean system prevents debris build-up and minimizes wind loading.

Modular design optimizes construction and assembly, allows for easy maintenance, upgrade and SKD purchasing for local assembly.

Tool-less access to the down-opening driver door makes easy maintenance and operation.

Spigot mounting system fitted to 40-60mm (O.D.) mast-arms accommodates safety and stability. Capable of being adjusted freely the degree from -90 to 90.

The driver is mounted isolated away from the heat source of LED allows for long life of the driver.

IP65 (EN60529 compliant) rated to the luminaire

LED & Optics - Eutectic led packaging technology is applied for low heat resistance, low light degradation, high efficiency and long life (Projected L70>50000h @ Ta 25C). High efficiency Pure white (5000-5800K) & Warm white (4000-4500K) with CRI 70 rated or customized CCT LED are available.

Precise optic lens in high intensity PC material with IESNA Type I provides high uniformity and optimal luminaire spacing, the optical system optimizes the light distribution, eliminate the waste of light, increase the reasonable and effective using of light.

Electronics - Universal driver is available in 100-240Vac, 50/60Hz, power factor > 95% and THD <15%, IP67 waterproof.

Listings - CE pending, RoHS compliant

Warranty - 5 years limited

Note: all specifications subject to change without notice.

BBELED® Street Light L™ series



100-240Vac 50/60Hz or 12/24VDC

5000-5800K / 4000-4500K

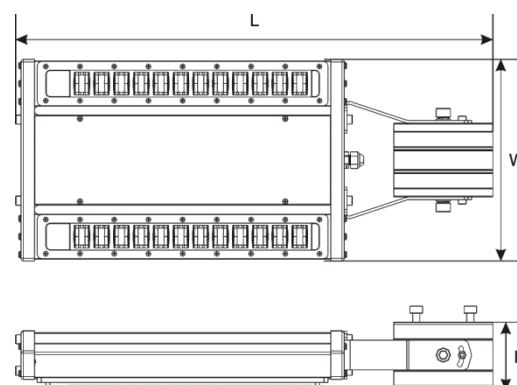
CRI 70 rated

Up to 100LPW

PF>0.95, THD<15%

L70>50000h @ Ta 25° C (77° F)

Work Temp.: -30~50° C (-22~122° F)



Dimension & Weight

dimension is in mm (inch), kg(lb)

	L30	L60
L	530mm (20.9")	856mm(33.7")
W	225mm(8.9")	225mm(8.9")
H	76mm(3.0")	76mm(3.0")
Weight	4KG(8.8lb)	6KG(13.2lb)
<u>Shipping data</u>		
CBM	0.022	0.034
G.W.	n/a	n/a

Ordering information:

Example: L30-EPW1SL1

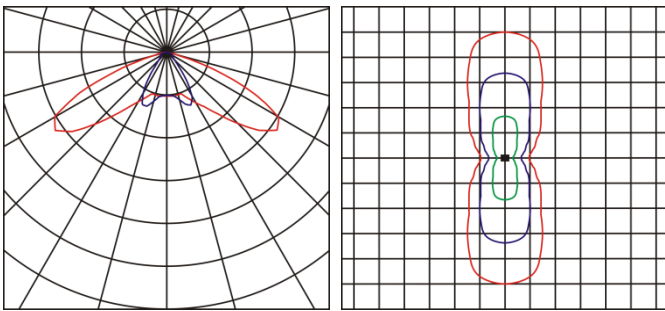
Series	Wattage	-	Voltage	CCT	Optics	LED Bin	-	Options
L	30	-	E	PW	1S	L1	-	
L	30 60		E: 100-240Vac D: 12/24Vdc	NW: 4000-4500K PW: 5000-5800K	1S: 140x60	L1: Level 1 (standard) L4: Level 4 (hi-efficiency)		

*Consult your sales representative for the options and the lead time will be varied depending on the options selected.

Electrical Data:

	Number of LEDs	LED drive current(mA)	Rated Power(W)	Total Current (Amp)			
				120V	220V	230V	240V
L30	24	350	30	0.251	0.145	0.141	0.137
L60	48	350	60	0.491	0.274	0.264	0.254

Optical & Photometric



1S: IESNA Type I

Cat No.	CCT	Power (W)	Initial Lumen (lm)	Efficiency (LPW)	Optics	LED level	IES file	IES date (mm/dd/yy)
L30-EPW1SL1	5000-5800K	30	2763	92	1S	L1	L30-EPW1SL1.ies	03/28/14
L30-EPW1SL4	5000-5800K	30	3031	101	1S	L4	L30-EPW1SL4.ies	04/30/14
L30-ENW1SL1	4000-4500K	30	2605	87	1S	L1	L30-ENW1SL1.ies	04/28/14
L30-ENW1SL4	4000-4500K	30	3033	101	1S	L4	L30-ENW1SL4.ies	04/30/14
L60-EPW1SL1	5000-5800K	59	5431	92	1S	L1	L60-EPW1SL1.ies	03/28/14
L60-EPW1SL4	5000-5800K	59	5941	101	1S	L4	L60-EPW1SL4.ies	04/30/14
L60-ENW1SL1	4000-4500K	59	5126	87	1S	L1	L60-ENW1SL1.ies	04/28/14
L60-ENW1SL4	4000-4500K	59	5908	100	1S	L4	L60-ENW1SL4.ies	04/29/14

*the above data is based on BBELED lab test result, and is kept updating, changes will be not informed.

Shenzhen Bang-Bell Electronics Co., Ltd.
 Add: Bld. C, Jinxiongda Ind. Park, Huanguan South Rd., Guanlan Town, Shenzhen, China.
 Tel: 86-755-29588988 Fax: 86-755-29588616 P.C.: 518110
 Website: www.bbeled.com Email: bbe@bbeled.com

